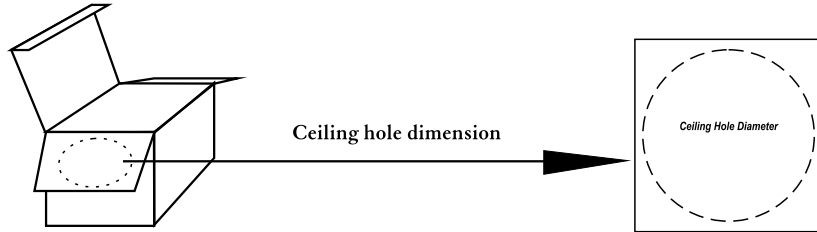


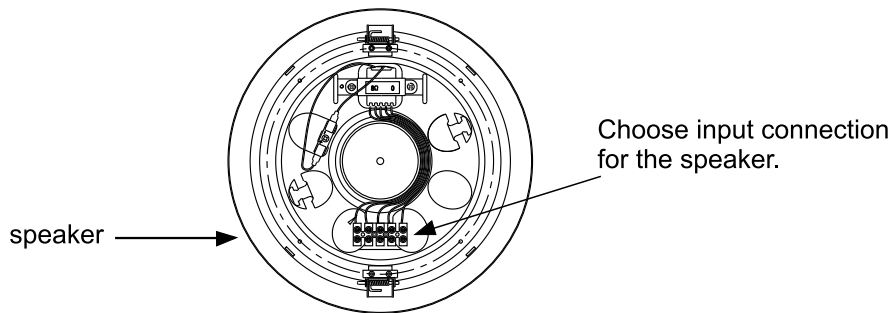
CEILING SPEAKER

Installation Procedures:

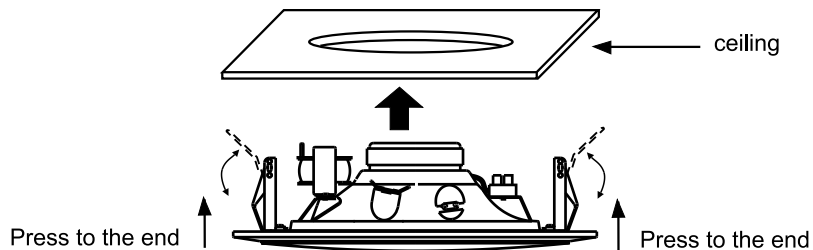
1. Drill a round hole into the ceiling in accordance with the ceiling-drilling picture on the attached cover in the inner box.



2. Choose required input voltage and output power for equipment connecting set-up. Detailed specifications can be referred as the instruction on the speaker itself and the following product specifications.



3. After simultaneously pressing the fixed springs on both sides of the ceiling speaker to the end push it into the round hole of the ceiling and then the speaker is fixed.



⚠ Caution: Wrong voltage input set-up might cause damage of the speaker.

Model	Ceiling Speaker 6W	Ceiling Speaker 10W
Paper Speaker Inside	1×8" full-range paper speaker	1×8" full-range paper speaker
Input Power	Standard 6W	Standard 10W
Output Power	6W/3W/1.5W	10W/5W/2.5W
Input Resistance	(100V): 6.6KΩ 3.3KΩ 1.66KΩ (70V): 3.3KΩ 1.66KΩ 816Ω	(100V): 4KΩ 2KΩ 1KΩ (70V): 2KΩ 1KΩ 490Ω
Input Voltage	70V/100V	70V/100V
Frequency	140~20,000 Hz	140~20,000 Hz
Output Sound Pressure & Voltage	95 dB(1W/M)	95 dB(1W/M)
Dimension	Φ265×74.5 mm / 10.4×2.9"	Φ265×78.5 mm / 10.4×3.1"
Weight	1.1Kg / 2.42LB	1.2Kg / 2.64LB